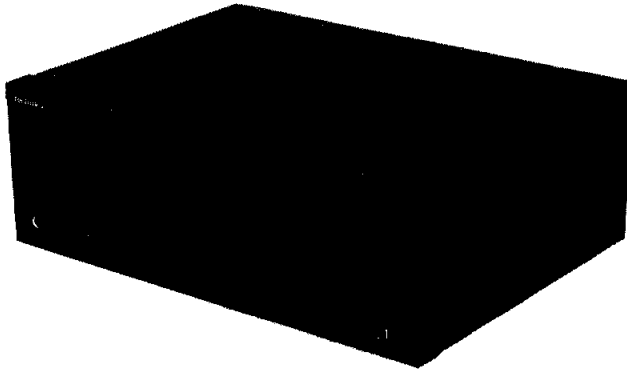


# Service Manual

Amplifier

## SU-X120

Stereo Integrated Amplifier

*Simplified*


Colour

(K) ..... Black Type

### Areas

Suffix for Model No.	Area	Colour
(E)	Europe	(K)
(EB)	Great Britain	
(EG)	Germany and Italy	
(GN)	Oceania	

- Please file and use this manual together with the Service Manual for Model No. SU-X102, Order No. AD9103049C8.
- This service manual indicates the main differences between Original SU-X102 (E).

## LINE-UP OF COMPONENTS

System Name	Unit
SC-X120 (E)	ST-X302LA (E) : Tuner
	SU-X120 (E) : Amplifier
	RS-X120 (EG) : Cassette Deck
	— : CD Player
	SL-J110R (E) : Turntable
	SB-CS55 (E) : Speaker (Made in PAES)
SC-X120 (EB)	ST-X302LA (EB) : Tuner
	SU-X120 (EB) : Amplifier
	RS-X120 (EG) : Cassette Deck
	SL-PJ28A (EB) : CD Player (Made in MBV)
	SL-J110R (EB) : Turntable
	SB-CS55 (E) : Speaker (Made in PAES)
SC-X120 (EF)	ST-X302LA (EF) : Tuner (Made in PFS)
	SU-X120 (E) : Amplifier
	RS-X120 (EG) : Cassette Deck
	SL-PJ28A (E) : CD Player (Made in MBV)
	SL-J110R (E) : Turntable
	SB-CS55 (E) : Speaker (Made in PAES)

System Name	Unit
SC-X120 (EG)	ST-X302LA (EG) : Tuner
	SU-X120 (EG) : Amplifier
	RS-X120 (EG) : Cassette Deck
	SL-PJ28A (EG) : CD Player (Made in MBV)
	SL-J110R (EG) : Turntable
	SB-CS55 (E) : Speaker (Made in PAES)
SC-X120 (EI)	ST-X302LA (EI) : Tuner (Made in PFS)
	SU-X120 (EG) : Amplifier
	RS-X120 (EG) : Cassette Deck
	SL-PJ28A (EG) : CD Player (Made in MBV)
	SL-J110R (EG) : Turntable
	SB-CS55 (E) : Speaker (Made in PAES)
SC-X120 (GN)	ST-X302LA (GN) : Tuner
	SU-X120 (GN) : Amplifier
	RS-X120 (GC) : Cassette Deck
	SL-PJ28 (GN) : CD Player
	SL-J110R (GN) : Turntable
	SB-CD120 (GC) : Speaker

# Technics

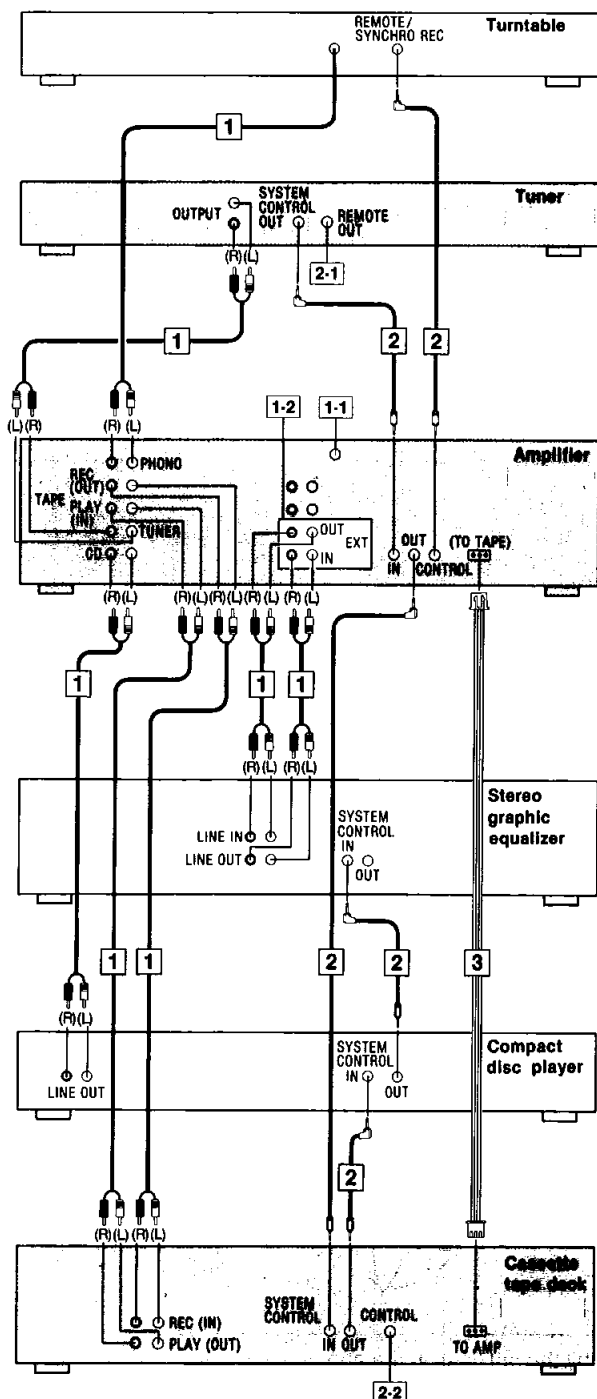
## ■ CHANGE IN REPLACEMENT PARTS LIST

SU-X102 (Pages 30~33, 36 of service manual.)

Ref. No.	Part Number		Description	Remarks
	SU-X102 (E)	SU-X120 (E, EB, EG, GN)		
<b>TRANSISTOR(S)</b>				
Q504	—	2SC3311AQSTA	TRANSISTOR	(EB)
Q505	—	2SA1309AQSTA	TRANSISTOR	(EB)
<b>DIODE(S)</b>				
D501, 502	—	MA167TA	DIODE	(EB)
D504	—	MA4051MTA	DIODE	(EB)
<b>TRANSFORMER(S)</b>				
T1	RTP1M5E008-V	RTP1M5B002-V	POWER TRANSFORMER	△ (EB, GN)
<b>FUSE(S)</b>				
F2	XBA2C08TB0	—	FUSE	△ (GN)
<b>CONNECTOR(S)</b>				
J551	—	SJT3213	CONNECTOR (2P)	(EB) Type (B)
<b>JACK(S)</b>				
JK901	SJS9231-1B	SJS9234B	AC INLET	△ (GN)
JK902	SJS9333B	SJS9332B	AC OUTLET	△ (EB)
		—	AC OUTLET	△ (GN)
<b>FUSE HOLDER(S)</b>				
FC 3, 4	SJT388	—	FUSE HOLDER	△ (GN)
<b>RESISTORS</b>				
R515, 516	—	ERDS2TJ223T	RESISTOR ¼ W 22K	(EB)
R517	—	ERDS2TJ563T	RESISTOR ¼ W 56K	(EB)
R520	—	ERDS2TJ153T	RESISTOR ¼ W 15K	(EB)
R521	—	ERDS2TJ103T	RESISTOR ¼ W 10K	(EB)
R522	—	ERDS1FVJ680T	RESISTOR ½ W 68	△ (EB)
R543	—	ERDS1FVJ560T	RESISTOR ½ W 56	△ (EB)
<b>CAPACITORS</b>				
C513	—	ECEA1CKA100B	CAPACITOR 16 V 10 μ	(EB)
C709	ECEA1HKA2R2B	ECEA1HKN2R2B	CAPACITOR 50 V 2.2 μ	
<b>CABINET PARTS</b>				
3	SJP9205-2Y	SJP9205-2T	CABINET	
5	SJS9231A	SJS9234A	AC INLET COVER	(GN)
6	SJS9333A	SJS9332A	AC OUTLET COVER	(EB)
		RJS1A4602	AC OUTLET COVER	(GN)
7	RGR0105K-A1	RGR0105K-C1	REAR PANEL	(E)
		RGR0105T-B	REAR PANEL	(EB) Type (A)
		RGR0105F-D1	REAR PANEL	(EB) Type (B)
		RGR0105K-D1	REAR PANEL	(EG)
		RGR0105M-A1	REAR PANEL	(GN)
19	RGU0591A-K	RGU0591B-K	BUTTON, SUPER BASS	
20	RFKGUX102E	RFKGUX120E-K	FRONT PANEL ASS'Y	
25	—	REM0020-1	FAN MOTOR ASS'Y	(EB) Type (A)
		SYE1128-4	FAN MOTOR ASS'Y	(EB) Type (B)
25-1	—	SHE232-1	FAN	(EB) Type (A)
		SHE232	FAN	(EB) Type (B)
25-2	—	SUS271	SPRING	(EB)
25-3	—	RMQ0209-K	FAN CASE	(EB) Type (A)
		SHE233-1	FAN CASE	(EB) Type (B)
25-4	—	MDN-4RB4MRC	MOTOR	(EB)
25-5	—	RMQ0208-K	CAP	(EB) Type (A)
		SHE234	CAP	(EB) Type (B)
25-6	—	SJT783	TERMINAL	(EB) Type (B)
25-7	—	SJS5215	CONNECTOR (2P)	(EB) Type (B)
25-8	—	RMQ0212-K	TERMINAL CAP	(EB) Type (A)
36	—	RJS1A7402	CONNECTOR (2P)	(EB) Type (A)
37	—	XTBS3+8JFZ1	SCREW	(EB) Type (A)

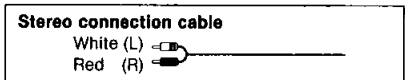
Ref. No.	Part Number		Description	Remarks
	SU-X102 (E)	SU-X120 (E, EB, EG, GN)		
<b>PACKING MATERIALS</b>				
P1	RPG0838	RPG1208	PACKING CASE	
P3	SPSD152	—	ACCESSORIES BOX	
<b>ACCESSORIES</b>				
A1	RQF1081	—	INSTRUCTIONS MANUAL ASS'Y	
A1-1	RQA0013	RQX7433ZA	WARRANTY CARD	(GN)
A1-3	RFKSUX102E-K	RFKSCX120E-K	INSTRUCTIONS MANUAL	(E)
		RQT1498-B	INSTRUCTIONS MANUAL	(EB, GN)
		RQT1497-D	INSTRUCTIONS MANUAL	(EG)
A2	SJA187	—	AC POWER SUPPLY CORD	△

## ■ CONNECTIONS OF EACH UNIT



Connection diagrams shown are for connections to a Technics hi-fi component system. Make connections in the numbered sequential order.

- 1 Connect the stereo connection cables** (included with the turntable, tuner, stereo graphic equalizer, and cassette tape deck).

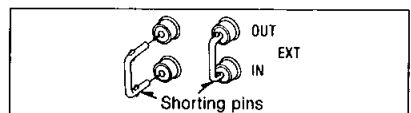


- 1-1 "GND" terminal of the amplifier**

This terminal is for use with a turntable which has a ground wire.

- 1-2 "EXT" terminals of the amplifier**

When these terminals are not in use, be sure to insert the "shorting" pins (included).



- 2 Connect the L-type cables** (included with the turntable, tuner, stereo graphic equalizer, compact disc player, and cassette tape deck).

- 2-1 "REMOTE OUT" terminal**

This terminal is used to connect to the "REMOTE IN" terminal of the Technics multi-compact disc player (not included).

- 2-2 "CONTROL" terminal**

Make a connection from this terminal to the "CONTROL" terminal for a cassette deck on a Technics multi compact disc player (SL-PK26). (For detailed information, refer to the operating instructions of the Technics multi compact disc player.)

- 3 Connect the 3-core flat cable** (included with the cassette tape deck).

- Connect the AC power supply cords and AC outlet**  
 (See page 3 of service manual RS-X120, Order No. AD9203066A8.)



# DISASSEMBLY INSTRUCTIONS

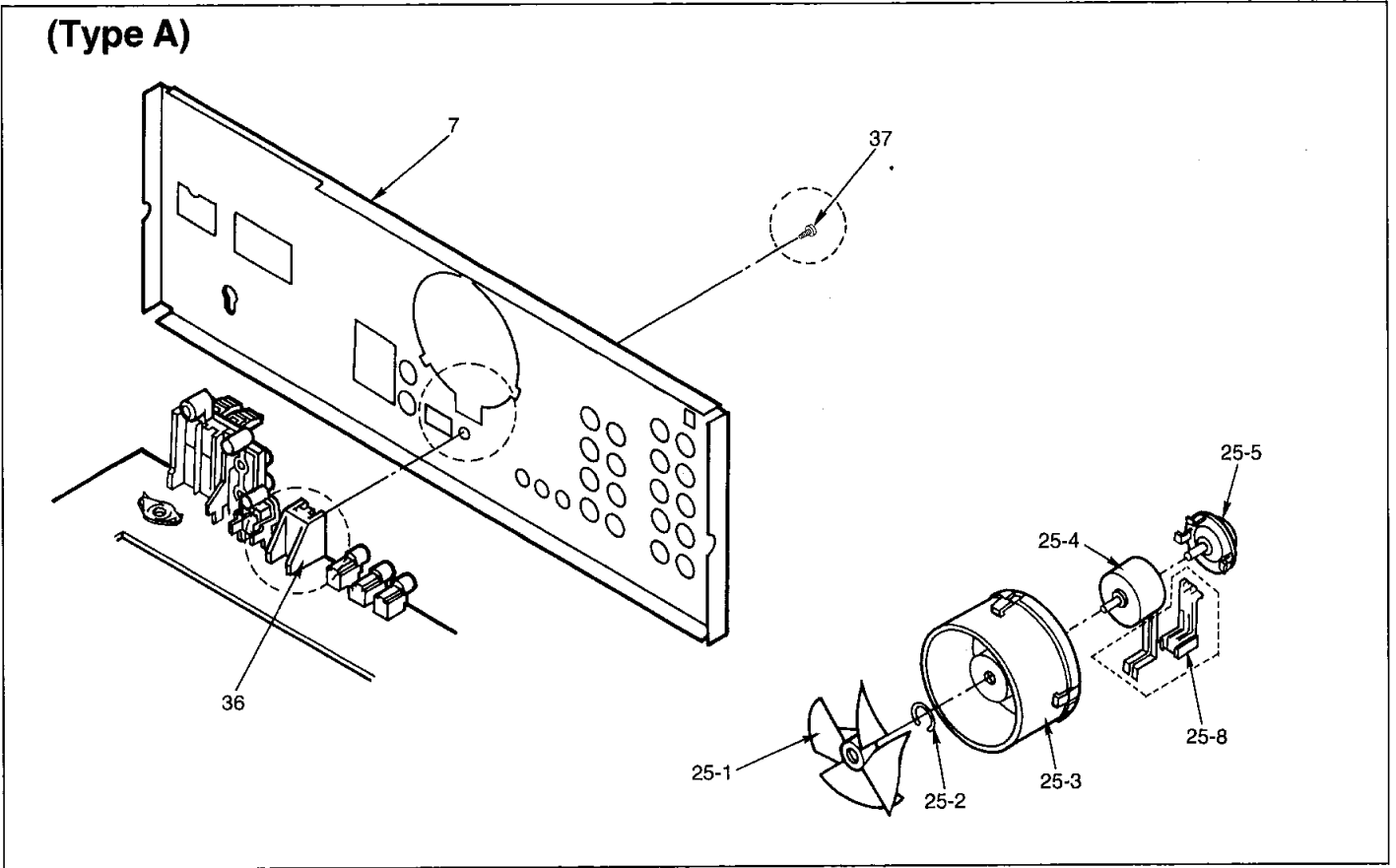
(EB) area only

<p><b>Ref No.</b> 13</p>	<p><b>Removal of the Fan Motor Ass'y (Type A)</b></p>	
<p><b>Procedure</b> 1→7→13</p>	<p><b>(Fig. 1)</b></p> <ol style="list-style-type: none"> <li>1. Release the 3 claws. (See Fig. 1.)</li> <li>2. Insert a screwdriver at the root of the fan. Force it out of the motor shaft. (See Fig. 2.)</li> <li>3. Remove the cap by using ⊖ screwdriver. (See Fig. 3.)</li> <li>4. Remove the terminal cap in the direction of arrow. (See Fig. 4.)</li> <li>5. Remove the motor from the fan case. (See Fig. 5.)</li> <li>6. When mounting the motor, align the fan casing's projection with the hole of the motor. (See Fig. 6.)</li> </ol>	

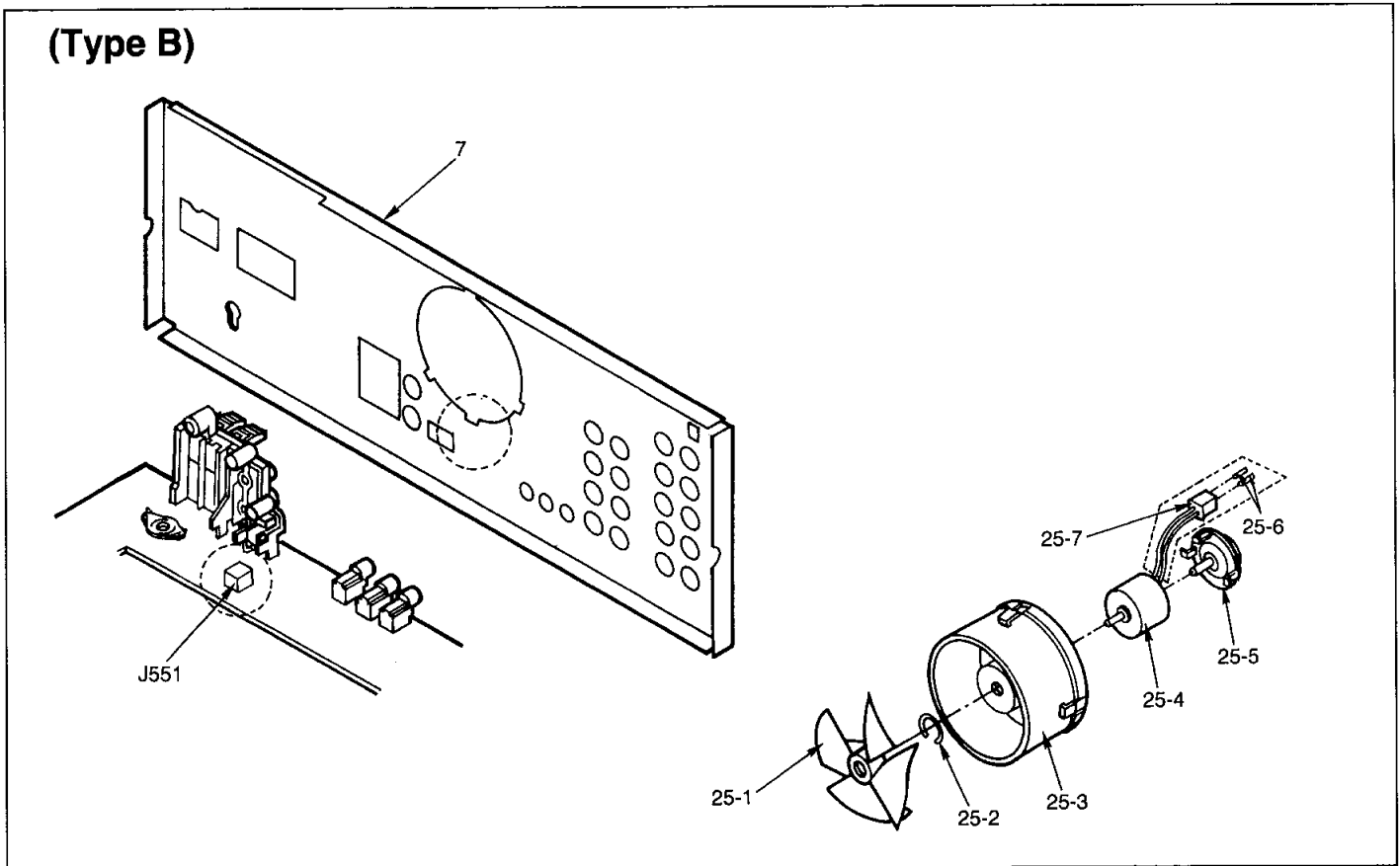
<p><b>Ref No.</b> 13</p>	<p><b>Removal of the Fan Motor Ass'y (Type B)</b></p>	
<p><b>Procedure</b> 1→7→13</p>	<p><b>(Fig. 1)</b></p> <ol style="list-style-type: none"> <li>1. Remove the 1 connector (J551).</li> <li>2. Release the 3 claws. (See Fig. 1.)</li> <li>3. Insert a screwdriver at the root of the cooling fan. Force it out of the motor shaft. (See Fig. 2.)</li> <li>4. Remove the cap by using ⊖ screwdriver. (See Fig. 3.)</li> <li>5. Remove the motor from the fan casing. (See Fig. 4.)</li> <li>6. When mounting the motor fan, align the fan casing's projection with the hole of the motor. (See Fig. 5.)</li> </ol>	

■ CABINET PARTS LOCATION (EB) area only

(Type A)



(Type B)



Note: The different parts between type A and type B are enclosed by the dot lines in the above diagrams.